

SLV HEAVY LOAD STRUT KIT

10056205

Fit Time: 5 mins

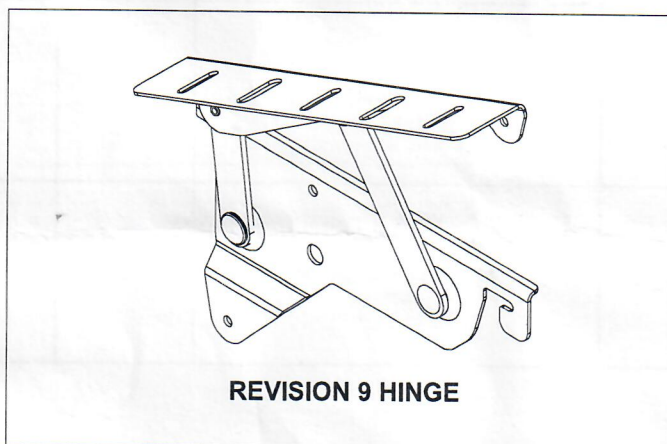
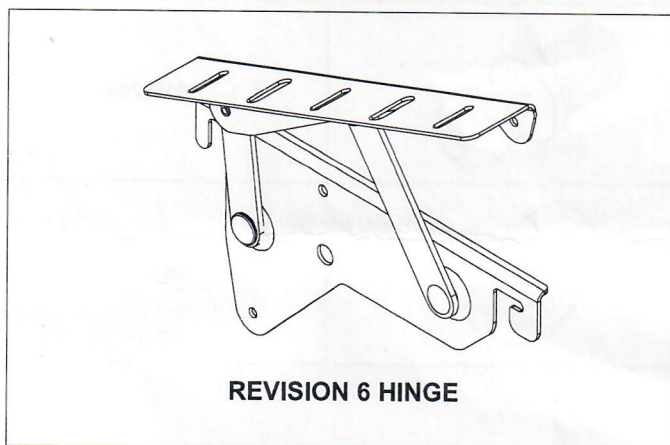
READ INSTRUCTIONS CAREFULLY BEFORE COMMENCING THIS ACTIVITY.

Tools Required

Metric hex key set	Metric spanner set	
--------------------	--------------------	--

General Notes

- This instruction is applicable for Revision 6 hinges and Revision 9 hinges.
- It is recommended that you remove the lid from the vehicle before commencing this activity.
- Place the lid upside down on a flat working surface. Ensure adequate protection between the lid and work surface to avoid damaging painted items.



Safety Notes

- Check that all work practises comply with safety standards.
- Appropriate clothing & PPE must be worn.



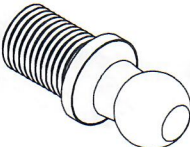

SLV HEAVY LOAD STRUT KIT

10056205

Fit Time: 5 mins

READ INSTRUCTIONS CAREFULLY BEFORE COMMENCING THIS ACTIVITY.

Kit Contents- Hardware

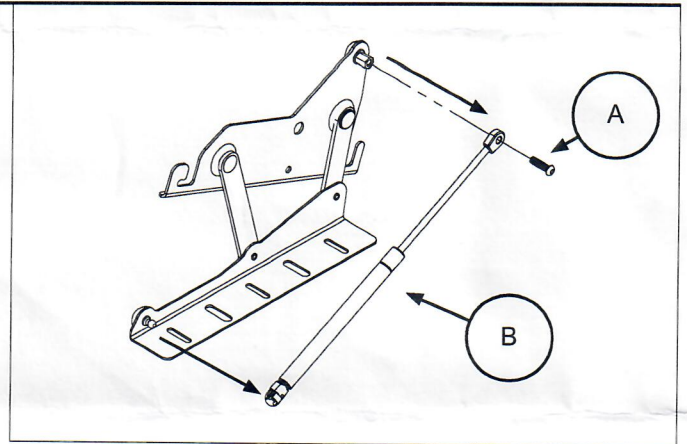
No.	Item Description	Quantity	Image	Service Part Number
1	450N Gas Strut	2		10056202 (Ford, Holden, Isuzu, Mitsubishi, Nissan NP300, VW)
	500N Gas Strut			10056203 (Mercedes, Nissan Euro, Toyota)
2	Ball Stud	2		10056204
3	M8 Spring Washer ZP	2		10052711

SLV HEAVY LOAD KIT

10056205

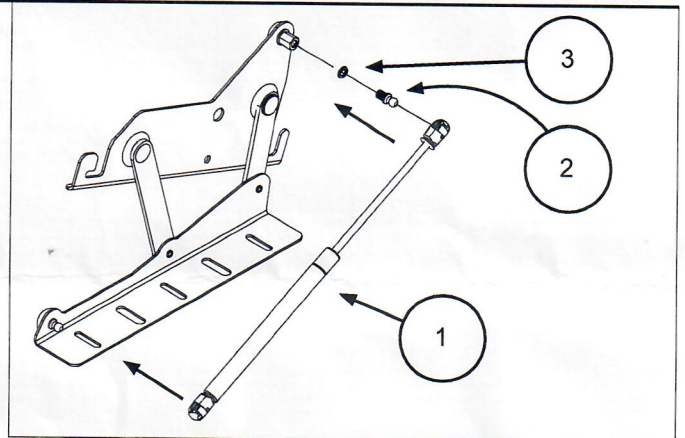
Step 1 (Revision 6 Hinge)

- Remove the M8 button head screw (A).
- Remove the original gas strut (B).
- Repeat for opposite side.



Step 2 (Revision 6 Hinge)

- Install items 2 & 3. Tighten item 2 (approx. 8Nm)
- Install item 1. Take note of part orientation
- Repeat for opposite side.



Step 3 (Revision 9 Hinge)

- Remove original gas strut (B)
- Install item 1. Take note of part orientation.
- Repeat for opposite side.
- Discard items 2 & 3. Not required for REV9 hinges.

Gas strut installation complete.

Refer to SLV FITTING INSTRUCTIONS to re-install SLV.

